



Proper Ramp Position when Walking a Catwalk

This bulletin provides the proper placement of the ramp when the catwalk is equipped with a hydraulic ramp pivot system and a pad walking system. Refer to the PC3000 Instruction, Operation, & Maintenance Manual for the hydraulic ramp pivot system operating procedure.

Issue

Walking the catwalk while the ramp is in a position other than fully rigged-down and resting on the catwalk deck (see Figure 2) is likely to cause premature failure. Commencing walking operations with the ramp raised during windy conditions drastically increases the potential for component failure.

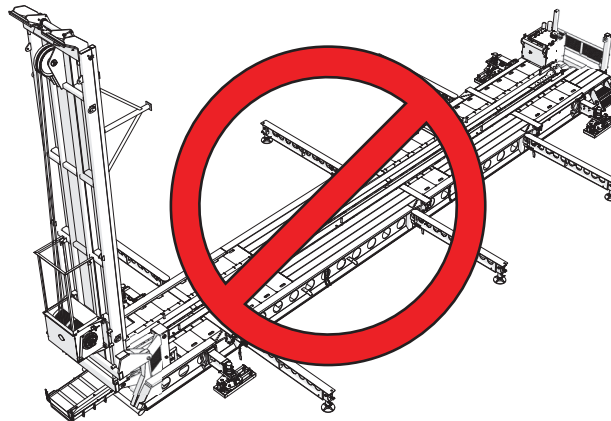


Figure 1: Do not walk the catwalk when the ramp is not properly stowed!

- If the ramp is not fully lowered when walking the catwalk, the ramp will become unstable and rock back and forth.
- When rocking back and forth, the ramp acts as a lever and imparts stress on mechanical components (see Figure 3) essential for operation of the mechanism.
- Potential failures include breaking the cylinder rod clevis or connecting pins, and cracking and/or breaking weld joints holding structural components together.
- The ramp posts are particularly susceptible as they are subjected to cyclic forces when the carrier is raising and lowering during normal rig operations.
- If the mechanism fails, the ramp could free fall, causing major equipment damage and/or personnel injuries.

Alert

Procedure

Proper ramp placement prior to walking the catwalk will eliminate rocking and will ensure that pivot mechanism is stable, secure, and avoid premature wear and damage.

1. Ensure that a proper zone is created and that all personnel are out of the buffer zone before commencing the ramp rig down operation.
2. Ensure that a proper Job Safety Analysis (JSA) has been created and understood by all personnel that will be part of the task.
3. Before commencing pad walking operations, disconnect the ramp from the rig floor and rig down.
4. When lowering the ramp ensure that the winch cables have sufficient slack.
5. Secure the Goretrac pan.
6. Tuck in and secure all six pipe racks to the skid.
7. Ensure the ramp stand foot pads are in full contact with the catwalk deck (See Figure 2) and do not create a point load on vulnerable areas. If this occurs, place a piece of plywood under the ramp stand foot pads on both sides.

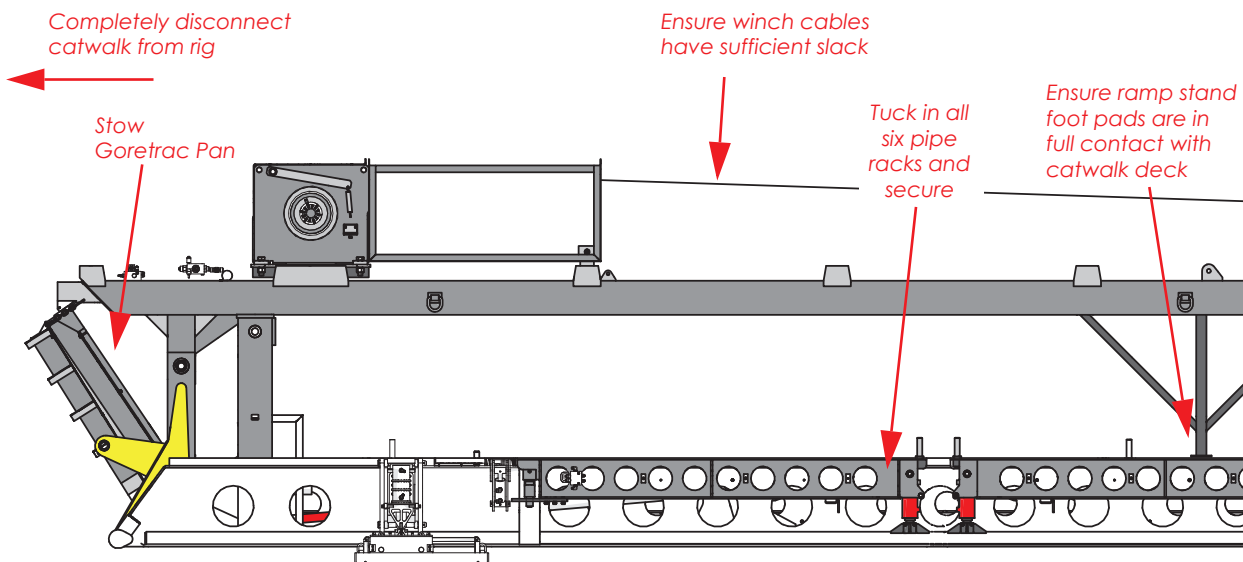


Figure 2: Lower the ramp completely and secure properly before walking the catwalk

Alert

Inspection

If the catwalk has been walked while the ramp was not fully rigged-down and resting on the main base, then equipment damage may be present. Inspect the following for damage and contact RIGLINE 24/7™ Support to schedule a repair if needed.



Warning!

Operating a catwalk that has been damaged from improper use can lead to equipment damage or harm to personnel.

1. Inspect all ramp pivot mechanism components for breaking, cracking, or bending.
2. Inspect post for signs of stress. Check for breaking or cracking. Inspect welds for signs of visible damage.
3. Inspect welds for signs of visible damage.
4. Inspect ramp support for breaking or cracking. Inspect welds for signs of visible damage.
5. Inspect cylinder rod clevis and connecting pins for breaking, cracking, or bending. Inspect welds for signs of visible damage.

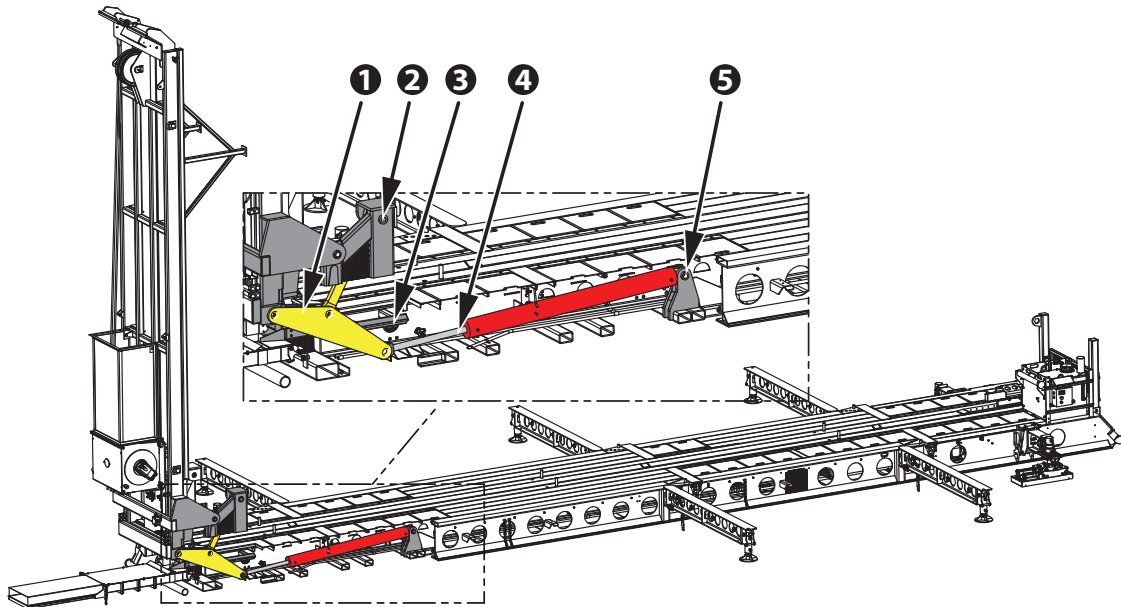


Figure 3: Inspect hydraulic ramp pivot mechanisms for damage