



Elevator Clamp Secondary Securement

Issue

The fasteners used to attach the elevator link clamps to the elevator links can become a dropped object if they become loose or broken. Canrig recommends inspection and safety securement be performed at the earliest opportunity.

Inspect Bolts on
Both Elevator Link
Clamps and
Add Safety
Securement

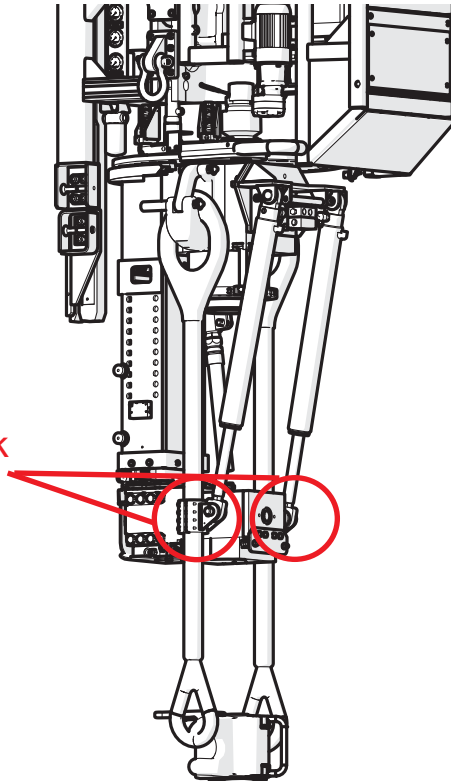


Figure 1: Inspect and Secure Bolts on Elevator Link Clamps (Both Sides)

Recommendation:

1. Immediately inspect both Elevator Link Clamps for loose or damaged fasteners. Correct as needed.
2. Replace fasteners on Elevator Link Clamps with fasteners drilled for safety wire. See Table 1.
 - The fasteners must be installed with Loctite 242 or equivalent thread locker

- The fasteners must be installed with appropriate torque as shown in Table 1.
- Ensure that the gap between both halves of the clamps are equal on both sides as shown in Figure 2.
- The edges of the both halves of the clamp must be parallel to each other.

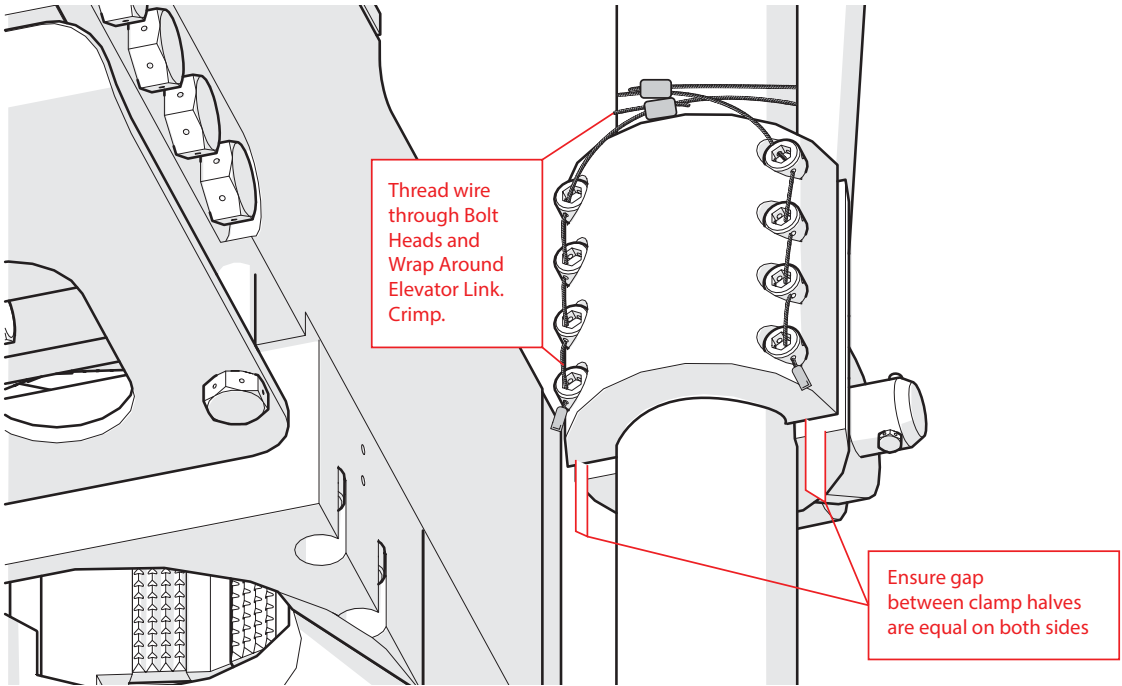


Figure 2: Add Safety Securement to Fasteners

Table 1: Elevator Link Clamp Fasteners

Elevator Clamp Part Number	Fastener Part Number	Fastener Installation Torque
594-02-7	SH-0500NC-0275-W	99 ft-lb
594-02-1	SH-0375NC-0100-W	40 ft-lb
594-02-4	SH-0500NC-0275-W	99 ft-lb
594-02-6	SH-0500NC-0275-W	99 ft-lb